

FINISHING APA RATED SIDING



In addition to structural stability and durability, APA Rated Siding offers the aesthetic appeal of wood. To keep your siding looking good and performing well, follow the finishing tips below. Proper finishing protects siding from the weather, reduces maintenance and promotes long-lasting performance. For specific recommendations on finishing APA trademarked products, consult your siding manufacturer or supplier.

1. Protect siding on the jobsite.

Put siding indoors, out of the weather, if possible. If space is not available inside, loosen the straps, store the bundles off the ground on stringers, and cover them with plastic. Be sure to allow ample space for air circulation.

2. Seal panel edges.

Prior to installation, seal all siding edges with a paintable water-repellent preservative, or primer if the siding is to be painted. This will help minimize sudden changes in panel moisture content due to weather fluctuations. Also seal all edges cut during installation.

3. Apply first coat of finish ASAP, preferably within 2 weeks of installation.

Weather can cause surface damage to unprotected wood within 4 weeks of exposure and adversely affect the performance of subsequently applied finishes. Preprimed products should be top-coated within 60 to 90 days of installation. Check the siding manufacturer's recommendations.

4. Select high quality stain or paint suitable for your siding grade.

The best protection for wood siding is an all-acrylic latex house paint. Solid-color stain, either latex or oil-based, provides good protection, and semitransparent stains give minimum protection to your panels. APA does not recommend oil-based house paints or latex semitransparent stains on APA Rated Sidings. Clear finishes also are not recommended on APA Rated Sidings exposed outdoors. See Table 1 for the best finish for your siding product.

5. Apply finish to a clean surface.

Remove all dirt, mildew and loose wood particles from the siding surface before applying finish. This will insure that your finish goes on evenly and stays on.

6. Apply finish in good weather.

Siding must be dry for oil-based finishes, but may be slightly damp for latex finishes. Do not apply finishes to extremely hot or cold surfaces.

7. Work finish into siding surface.

The first coat should either be brush-applied or sprayed and back-brushed while the finish is still wet. This is essential for textured surfaces, such as rough-sawn. Brushing helps work the finish into the siding, therefore providing better protection to the siding surface and optimum finish adhesion.

8. Always follow manufacturer's recommendations.

Follow manufacturer's suggestions as to the best finish for your siding product.

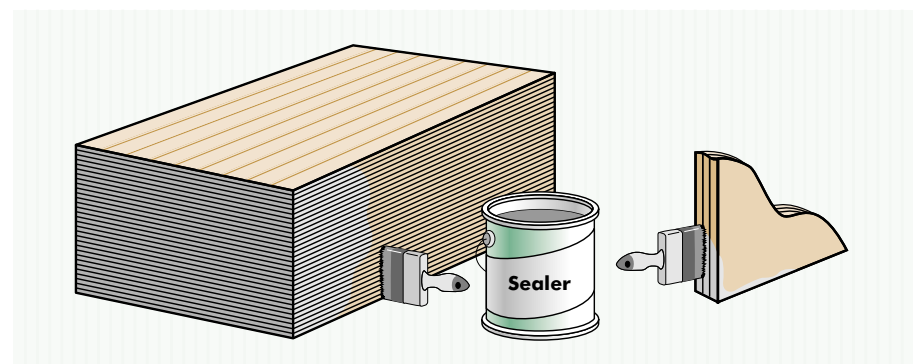
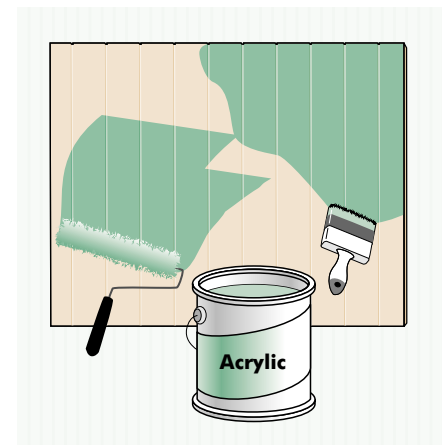


TABLE 1

RECOMMENDED FINISHES

Finish	Panel Product				COM-PLY	Overlaid OSB
	303	303	303	303		
	-OC	-6-W	18-W	-30-W		
	-OL	-6-S	-18-S	-30-S		
	-NR, -SR	-6-S/W	-18-S/W	-30-S/W		
Semitransparent Stain Oil	-OC ⁽²⁾ -OL Not recommended -NR ⁽²⁾ -SR ⁽³⁾	-6-W ⁽²⁾ -6-S ⁽³⁾ -6-S/W ⁽³⁾	(3)	(3)	Not recommended	Not recommended
Solid-Color Stain Oil or Latex⁽¹⁾	-OC ⁽²⁾ -OL ⁽⁴⁾ -NR ⁽⁵⁾ -SR ⁽⁵⁾	(2)	(2)	(2)	(4)	(4)
House Paint Acrylic Latex <i>Minimum 1 primer Plus 1 Top Coat</i>	(2)	(2)	(2)	(2)	(2)	(2)

Key

- (1) Except for overlaid siding, use a stain-blocking primer with light-colored latex stains, since the wood extractives may cause a discoloration of the finish.
- (2) Recommended with provisions given in text of APA publication E300.
- (3) These face grades should not be finished with semitransparent stains unless specifically recommended by the siding manufacturer.
- (4) Some siding manufacturers recommend only acrylic latex formulations. Consult the manufacturer's recommendations.
- (5) Only latex formulations are recommended.

We have field representatives in most major U.S. cities and in Canada who can help answer questions involving APA trademarked products. For additional assistance in specifying engineered wood products, contact us:

APA – THE ENGINEERED WOOD ASSOCIATION HEADQUARTERS

7011 So. 19th St. ■ P.O. Box 11700
Tacoma, Washington 98411-0700
(253) 565-6600 ■ Fax: (253) 565-7265

(International Offices:
Bournemouth, United Kingdom;
Mexico City, Mexico; Tokyo, Japan.)

Web Address:
@

www.apawood.org

PRODUCT SUPPORT HELP DESK

(253) 620-7400
E-mail Address: help@apawood.org

The product use recommendations in this publication are based on APA – The Engineered Wood Association's continuing programs of laboratory testing, product research, and comprehensive field experience. However, because the Association has no control over quality of workmanship or the conditions under which engineered wood products are used, it cannot accept responsibility for product performance or designs as actually constructed. Because engineered wood product performance requirements vary geographically, consult your local architect, engineer or design professional to assure compliance with code, construction, and performance requirements.

Form No. Q350C
Revised June 2002/0010

